



## ***Wine Coolers***

Models WC-CN-0181-DB, 0181-D, 0192-SB, 0192-S, 0040-DB,  
0040-D, 0051-SB, 0051-S, 0126-DB, 0126-D

Items 48258, 45258, 48259, 45259, 48260, 45260, 48261, 45261, 48525, 48526

## ***Instruction Manual***



*Revised - 11/15/2024*



Toll Free: 1-800-465-0234  
Fax: 905-607-0234  
Email: [service@omcan.com](mailto:service@omcan.com)  
[www.omcan.com](http://www.omcan.com)



# ***Table of Contents***

Model WC-CN-0181-DB / Model WC-CN-0181-D / Model WC-CN-0192-SB  
Model WC-CN-0192-S / Model WC-CN-0040-DB  
Model WC-CN-0040-D / Model WC-CN-0051-SB / Model WC-CN-0051-S  
Model WC-CN-0126-DB / Model WC-CN-0126-D

---

<b>Section</b>	<b>Page</b>
Disclaimer -----	3
General Information -----	4 - 5
Safety and Warranty -----	5 - 6
Technical Specifications -----	7 - 8
Installation -----	8 - 10
Operation -----	11 - 12
Maintenance -----	12
Troubleshooting -----	12 - 14
Parts Breakdown -----	15 - 29
Electrical Schematics -----	30 - 32
Notes -----	33 - 34
Warranty Registration -----	35

*OMCAN IS NOT RESPONSIBLE FOR ANY DAMAGES DUE TO WATER LEAKS. WARRANTY FOR WATER LEAKS IS VOID IF THE AMBIENT ROOM TEMPERATURE EXCEEDS 75°F AND 55% RELATIVE HUMIDITY, AND THE APPLIANCE DRAIN IS NOT CONNECTED DIRECTLY TO A FLOOR DRAIN.*

---

*OMCAN N'EST PAS RESPONSABLE DES DOMMAGES DUS AUX FUITES D'EAU. LA GARANTIE POUR LES FUITES D'EAU EST ANNULÉE SI LA TEMPÉRATURE AMBIANTE DE LA PIÈCE DÉPASSE 75°F ET 55% D'HUMIDITÉ RELATIVE, ET SI LE DRAIN DE L'APPAREIL N'EST PAS RACCORDÉ DIRECTEMENT À UN DRAIN DE PLANCHER.*

---

*OMCAN NO SE HACE RESPONSABLE DE LOS DAÑOS CAUSADOS POR FUGAS DE AGUA. LA GARANTÍA POR FUGAS DE AGUA QUEDA ANULADA SI LA TEMPERATURA AMBIENTE SUPERA LOS 75°F Y EL 55% DE HUMEDAD RELATIVA, Y EL DESAGÜE DEL APARATO NO ESTÁ CONECTADO DIRECTAMENTE A UN DESAGÜE DE PISO.*

## **General Information**

---

**Omcan Manufacturing and Distributing Company Inc., Food Machinery of America, Inc. dba Omcan and Omcan Inc. are not responsible for any harm or injury caused due to any person's improper or negligent use of this equipment. The product shall only be operated by someone over the age of 18, of sound mind, and not under the influence of any drugs or alcohol, who has been trained in the correct operation of this machine, and is wearing authorized, proper safety clothing. Any modification to the machine voids any warranty, and may cause harm to individuals using the machine or in the vicinity of the machine while in operation.**

### **CHECK PACKAGE UPON ARRIVAL**

Upon receipt of an Omcan shipment please inspect for external damage. If no damage is evident on the external packaging, open carton to ensure all ordered items are within the box, and there is no concealed damage to the machine. If the package has suffered rough handling, bumps or damage (visible or concealed), please note it on the bill of lading before accepting the delivery and contact Omcan within 24 hours, so we may initiate a claim with the carrier. A detailed report on the extent of the damage caused to the machine must be filled out within three days, from the delivery date shown in the shipping documents. Omcan has no recourse for damaged products that were shipped collect or third party.

**Before operating any equipment, always read and familiarize yourself with all operation and safety instructions.**

**Omcan would like to thank you for purchasing this machine. It's of the utmost importance to save these instructions for future reference. Also save the original box and packaging for shipping the equipment if servicing or returning of the machine is required.**

---

**Omcan Fabrication et distribution Compagnie Limitée et Food Machinery d'Amérique, dba Omcan et Omcan Inc. ne sont pas responsables de tout dommage ou blessure causé du fait que toute personne ait utilisé cet équipement de façon irrégulière. Le produit ne doit être exploité que par quelqu'un de plus de 18 ans, sain d'esprit, et pas sous l'influence d'une drogue ou d'alcool, qui a été formé pour utiliser cette machine correctement, et est vêtu de vêtements de sécurité appropriés. Toute modification de la machine annule toute garantie, et peut causer un préjudice à des personnes utilisant la machine ou des personnes à proximité de la machine pendant son fonctionnement.**

### **VÉRIFIEZ LE COLIS DÈS RÉCEPTION**

Dès réception d'une expédition d'Omcan veuillez inspecter pour dommages externes. Si aucun dommage n'est visible sur l'emballage externe, ouvrez le carton afin de s'assurer que tous les éléments commandés sont dans la boîte, et il n'y a aucun dommage dissimulé à la machine. Si le colis n'a subi aucune mauvaises manipulations, de bosses ou de dommages (visible ou cachée), notez-le sur le bond de livraison avant d'accepter la livraison et contactez Omcan dans les 24 heures qui suivent, pour que nous puissions engager une réclamation auprès du transporteur. Un rapport détaillé sur l'étendue des dommages causés à la machine doit être rempli dans un délai de trois jours, à compter de la date de livraison indiquée dans les documents d'expédition. Omcan n'a aucun droit de recours pour les produits endommagés qui ont été expédiés ou cueillis par un tiers transporteur.

**Avant d'utiliser n'importe quel équipement, toujours lire et vous familiariser avec toutes les opérations et les**

## ***General Information***

---

### **consignes de sécurité.**

**Omcan voudrais vous remercier d'avoir choisi cette machine. Il est primordial de conserver ces instructions pour une référence ultérieure. Également conservez la boîte originale et l'emballage pour l'expédition de l'équipement si l'entretien ou le retour de la machine est nécessaire.**

**Omcan Empresa De Fabricacion Y Distribucion Inc. Y Maquinaria De Alimentos De America, Inc. dba Omcan y Omcan Inc. no son responsables de ningun daño o perjuicio causado por cualquier persona inadecuada o el uso descuidado de este equipo. El producto solo podra ser operado por una persona mayor de 18 años, en su sano juicio y no bajo alguna influencia de droga o alcohol, y que este ha sido entrenado en el correcto funcionamiento de esta máquina, y ésta usando ropa apropiada y autorizada. Cualquier modificación a la máquina anula la garantía y puede causar daños a las personas usando la máquina mientras esta en el funcionamiento.**

### **REVISE EL PAQUETE A SU LLEGADA**

Tras la recepcion de un envio Omcan favor inspeccionar daños externos. Si no hay daños evidentes en el empaque exterior, Habra el carton para asegurarse que todos los articulos solicitados estén dentro de la caja y no encuentre daños ocultos en la máquina. Si el paquete ha sufrido un manejo de poco cuidado, golpes o daños (visible o oculto) por favor anote en la factura antes de aceptar la entrega y contacte Omcan dentro de las 24 horas, de modo que podamos iniciar una reclamación con la compañía. Un informe detallado sobre los daños causados a la máquina debe ser llenado en el plazo de tres días, desde la fecha de entrega que se muestra en los documentos de envío. Omcan no tiene ningun recurso por productos dañados que se enviaron a recoger por terceros.

**Antes de utilizar cualquier equipo, siempre lea y familiarizarse con todas las instrucciones de funcionamiento y seguridad.**

**Omcan le gustaría darle las gracias por la compra de esta máquina. Es de la mayor importancia para salvar estas instrucciones para futuras consultas. Además, guarda la caja original y el embalaje para el envío del equipo si servicio técnico o devolución de la máquina que se requiere.**

## ***Safety and Warranty***

---

Basic precautions when using:

1. Only use your wine cabinet for intended purposes, as described in this guide.
2. Never unplug the wine cabinet by pulling out the power cord; grip the plug firmly and pull straight out to remove from wall socket.
3. Immediately repair or replace any worn or damaged cord; never use a cord that is split or which shows signs of wear along its length or on its ends.
4. This appliance is not intended for use by people (including children) with reduced physical, sensory, or mental capabilities, or lack of experience and knowledge unless they have been given supervision or

## ***Safety and Warranty***

---

instruction concerning use of the appliance by a person responsible for their safety.

5. Children should be supervised to ensure that they do not play with the appliance. Do not allow children to climb on, sit on or stand on the wine cabinet, nor hang from its shelves. They could damage the cabinet.
6. Do not use an extension cord. Do not operate this device if its power cable or plug is damaged if it does not work properly or if it is damaged or has work properly or if it is damaged or has been dropped. If the power cable is damaged, it will need to be replaced by the manufacturer or his service agency or a similar qualified person to avoid any danger.
7. Do not place other appliance inside the cabinet.

**WARNING: refrigerant and foaming material is flammable. Please take care when going through installation, operation, and maintenance.**

**RESIDENTIAL USERS: vendor assumes no liability for parts or labor coverage for component failure or other damages resulting from installation in non-commercial or residential applications. The right is reserved to deny shipment for residential usage; if this occurs, you will be notified as soon as possible.**

### **1 YEAR PARTS AND LABOUR WARRANTY**

Within the warranty period, contact Omcan Inc. at 1-800-465-0234 to schedule an Omcan authorized service technician to repair the equipment locally.

Unauthorized maintenance will void the warranty. Warranty covers electrical and part failures, not improper use.

Please see <https://omcan.com/disclaimer> for complete info.

#### **WARNING:**

The packaging components are classified as normal solid urban waste and can therefore be disposed of without difficulty.

**In any case, for suitable recycling, we suggest disposing of the products separately (differentiated waste) according to the current norms.**

**DO NOT DISCARD ANY PACKAGING MATERIALS IN THE ENVIRONMENT!**



# Technical Specifications

## SINGLE ZONE UNITS

Model	WC-CN-0192-SB	WC-CN-0192-S	WC-CN-0051-SB	WC-CN-0051-S
Item Number	48259	45259	48261	45261
Door Type	Black	Stainless Steel	Black	Stainless Steel
Capacity	192 Bottles		51 Bottles	
Electrical	110-120V / 60Hz / 1			
Power	160 W / 0.16 kW		121 W / 0.12 kW	
Inner Humidity	40% - 60%			
Max Ambient Temp Rating	24°C / 75°F			
Temperature Range	3 - 22°C / 37.4 - 71.6°F			
Refrigerant	R600a			
Net Weight	228 lbs. / 103.4 kgs.		100.1 lbs. / 45.4 kgs.	
Packaging Weight	240.3 lbs. / 109 kgs.		106.9 lbs. / 48.5 kgs.	
Net Dimensions	26.6" x 23.4" x 73" 675 x 595 x 1854mm		22.6" x 23.4" x 32.3" 574 x 594 x 820mm	
Packaging Dimensions	30" x 26" x 76" 762 x 660 x 1930mm		26" x 26" x 36" 660 x 660 x 914mm	

# Technical Specifications

## DUAL ZONE UNITS

Model	WC-CN-0181-DB	WC-CN-0181-D	WC-CN-0040-DB	WC-CN-0040-D	WC-CN-0126-DB	WC-CN-0126-D
Item Number	48258	45258	48260	45260	48525	48526
Door Type	Black	Stainless Steel	Black	Stainless Steel	Black	Stainless Steel
Capacity	181 Bottles		40 Bottles		126 Bottles	
Electrical	110-120V / 60Hz / 1					
Power	160 W / 0.16 kW		121 W / 0.12 kW		161 W / 0.16 kW	
Inner Humidity	40% - 60%				50% - 80%	
Max Ambient Temp Rating	24°C / 75°F					
Temperature Range	3 - 22°C / 37.4 - 71.6°F				5 - 20°C / 41 - 68°F	
Refrigerant	R600a					
Net Weight	224.7 lbs. / 101.9 kgs.		98.1 lbs. / 44.5 kgs.		174.2 lbs. / 79 kgs.	
Packaging Weight	237 lbs. / 107.5 kgs.		110.2 lbs. / 50 kgs.		185.2 lbs. / 84 kgs.	
Net Dimensions	26.6" x 23.4" x 73" 675 x 595 x 1854mm		23.4" x 22.8" x 32.3" 595 x 580 x 820mm		24.5" x 23.4" x 62.7" 623 x 595 x 1592mm	
Packaging Dimensions	30" x 26" x 76" 762 x 660 x 1930mm		25.5" x 25.5" x 36" 648 x 648 x 914mm		27" x 25.8" x 65.2" 685 x 655 x 1655mm	

# Installation

## WINE CABINET INSTALLATION

1. When you receive the cabinet, make sure when you unpack it there is no flaws in its external appearance (from shocks, deformation, etc.)
2. Open the door and check all interior fittings and supplied items if they are all complete (shelves, instruction, control panel, etc.) Please install it according to the following points if the shelves or shelf brackets fall off during transit.
3. After checking and there's no problem, then please carry to the final place which should be taken cared as follows:
  - a. Leaving space of minimum 5 cm between your wine cabinet and left and right wall; at least 8 cm between back of cabinet and the wall (freestanding only).
  - b. Position the wine cabinet on a flat level surface; if not, adjust the feet of wine cabinet to keep level.
4. Away from sources of heat and high humidity areas (laundry room and bathroom, etc.)
5. Do not tilt it at an angle of more than 45 / 113 degrees when moving the cabinet. Allow a minimum 10-minute interval between transit and re-starting.
6. Make sure the ventilation is free if you wish to install your cabinet into a worktable; otherwise, it will reduce

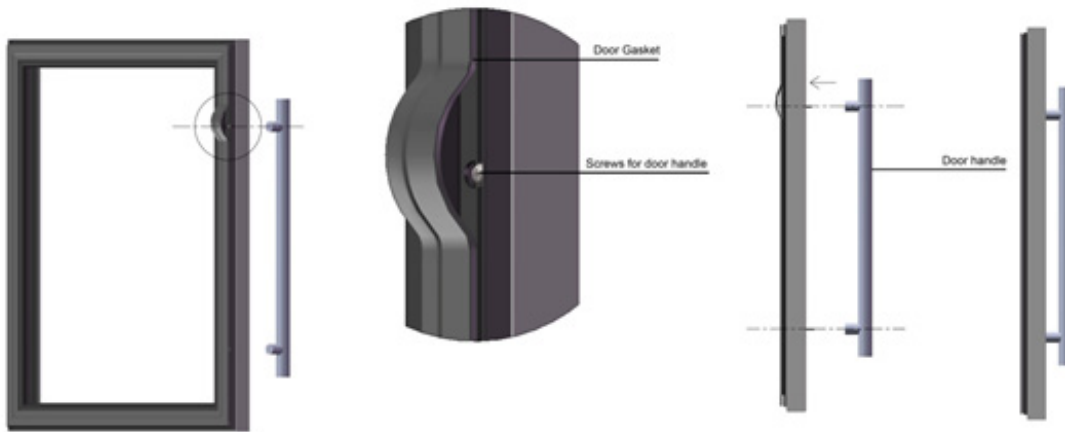


the effect of usage.

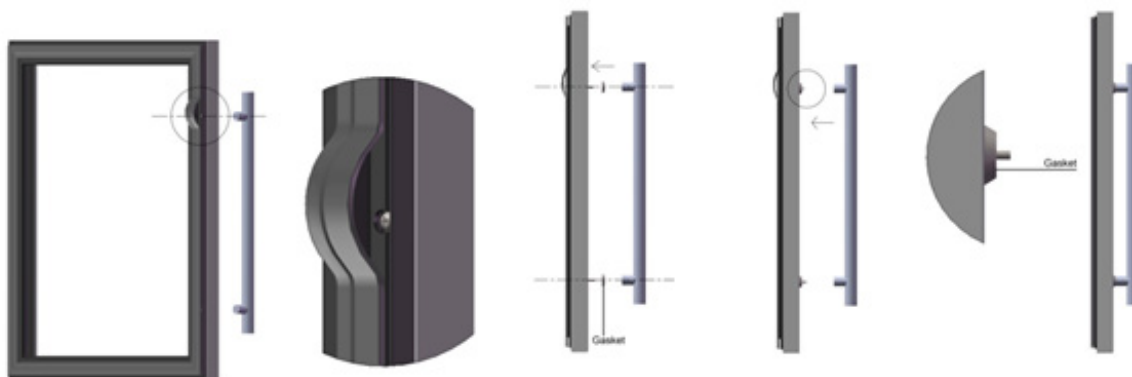
7. Please check the plug and cable before you connect the power.

## INSTALLING THE HANDLE

1. Take out the handle from inside of casing.
2. Carefully move the door gasket aside to expose the two screws.
3. Align the handle hole with the screw and affix the handle by tightening the two screws.
4. Reassemble the door gasket.



If the handle with gasket, please follow below instruction:



**Warning: do not overtighten the handle or breakage may occur!**

## WOOD SHELF CHANGING

Once wood shelf needs to be changed, please check which kind of slider and which one is used.

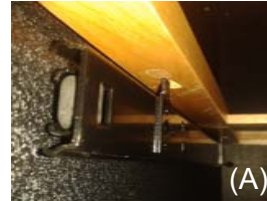
If slider is (A), take out the shelf only and change another new shelf - it will be okay. Please make sure the

# Installation

wood hole needs to match the slider hook.

If slider is (B):

1. Unscrew the wood shelf from slider.
2. Take out the old wood shelf and change new one.
3. Screw the wood shelf again from shelf bottom as previous then it is okay.



## INSTALLING OR REMOVING THE DOOR

Before beginning, please remove the power plug from the socket, follow the below images (Pictures A-H) to remove the door.

In order to reassemble the door, follow the below images in reverse order.



A

B

C



D

E

F



G





H

## TEMPERATURE SETTING

- The item will be used under the room temperature ranging from 16°C to 38°C (61°F to 100°F).
- Temperature setting range of cabinet is 5°C to 20°C (41°F to 68°F). Customers can reset the temperature according to their actual demands. Both the wine cabinet and the indicator will turn on until the desired temperature is achieved. Single temperature zone is the same operation.
- Pushing the temperature key up and down for 5 seconds, then temperature display mode will be exchange between °C and °F.
- The temperature of the top compartment must be set lower than the bottom compartment, or at the same temperature as the bottom compartment, but it should not set at temperature higher than the bottom compartment.







## CONTROL PANEL FOR SINGLE ZONE





-  ON/OFF of the whole system.
-  ON/OFF of inside cabinet LED light.
-  Temperature up setting.
-  Temperature down setting.

## CONTROL PANEL FOR DUAL ZONE

Upper control panel.

-  ON/OFF of the whole system.
-  ON/OFF of inside cabinet LED light.
-  Temperature up setting.
-  Temperature down setting.

Down control panel.

-  ON/OFF of the down zone system.
-  ON/OFF of inside cabinet LED light.
-  Temperature up setting.
-  Temperature down setting.

## LOADING AND STORAGE OF WINE BOTTLE

### BOTTLE LOADING METHOD

- Wooden shelf capacity: 5, 9 or 11 bottles per shelf.
- Bottom shelf capacity: 8 or 12 bottles per shelf.
- Maintain a minimum 20 mm between bottle and back plate.
- Ensure storage bottle bottom dia. 78 mm and 300 mm height; otherwise, less bottle loading.

# Operation

---

## ENSURE BOTTLE AND SHELF SAFETY

- Spread your bottles out as evenly as possible over the shelves, so weight is not concentrated in one point; and make sure your bottles will not touch the back of the cabinet.
- Make sure bottles are not grouped together at the top or bottom of the cabinet.
- Following loading instructions provided, according to the type of storage fixtures with which your cabinet is equipped and never stack bottles on a sliding shelf.
- Due to humidity which will be fluctuated based on room humidity and temperature, please make special film to pack before storage inside cabinet, which will ensure the label of bottle could not be damage.

# Maintenance

---

In order to ensure best performance and long-lasting reliable working item, please follow the simple maintenance and cleaning operation as follows:

- Make sure the power cord is unplugged before cleaning the back of your cabinet or before moving it.
- Clean the inside of your cabinet thoroughly once a year after unplugging and unloading it. Use water and a mild cleaning item then rinse carefully.
- To assure that your wine cooler provides a long-lasting reliable performance, you should check it regularly and inform your dealer if anything unusual is found.

# Troubleshooting

---

PROBLEM	SOLUTION
Not working.	Check if it is plugged in or not.
	Fuse break.
	No power.
Cooling problem.	Heat source near the item.
	Ventilation not well.
	Door is not close well or the door is open for so long.
	There is a door sealing problem or deformation.
	Bottles are loading too much in same shelf.
	The air inlet or outlet is blocked.
	Control setting problem.
Ventilation space in the right and left casing is not enough.	

# Troubleshooting

Noisy.	Wine cabinet place is not flat.
	Item is touching the wall.
	Some parts are loose or taken off.

## ERROR CODES

Error Code	Check & Solution
E2	Problem with cooling.
	Check for proper the air circulation inside the unit.
	Ensure the air outlet inside the cabinet is not obstructed.
	The back plate inside the cabinet has frost buildup.
	Make sure the unit is at least 5cm away from the wall.
	Keep the unit out of direct sunlight and away from other heat sources.
	The door opens frequently.
	Ensure the door gasket seals properly.
	Ensure the compressor and evaporator fan is running.
	Keep corrosive materials away from the casing.
E2.1	Problem with temperature sensor; failure or not connected well.
E9	There is a problem with the signal cable which connects the electric board and display board, ensure the cable is connected.

If problem still occurs after checking above, please try to contact service provider or dealer.

### Note: normal operation for following circumstances:

- Compressor won't start: compressor will not start if room temperature is lower than desired temperature, but the cabinet will still work with heater inside until desired temperature is achieved.
- Compressor restart: compressor will stop working when cooling system in the cabinet reaches presetting temperature and restarts working until the desired temperature is achieved. Allow a minimum 5 minute interval before restarting.
- Dew on the surface of cabinet: the surface of the wine cabinet, especially the glass door, appears to have some frost if the cabinet is in a damp room. This is due to the moisture in the air coming into contact with the cabinet. Please wipe it away with dry cloth.
- Liquid sound:
  - The sound of the compressor when it starts or stops working.
  - The flowing sound of refrigerant in the refrigeration system.
  - The evaporating sound of refrigerant in the evaporator.
- Condensation formed inside the cabinet: under the environment with high level of humidity or the door of wine cabinet has been left open for a long period of time (or opened frequently), there are much

## ***Troubleshooting***

---

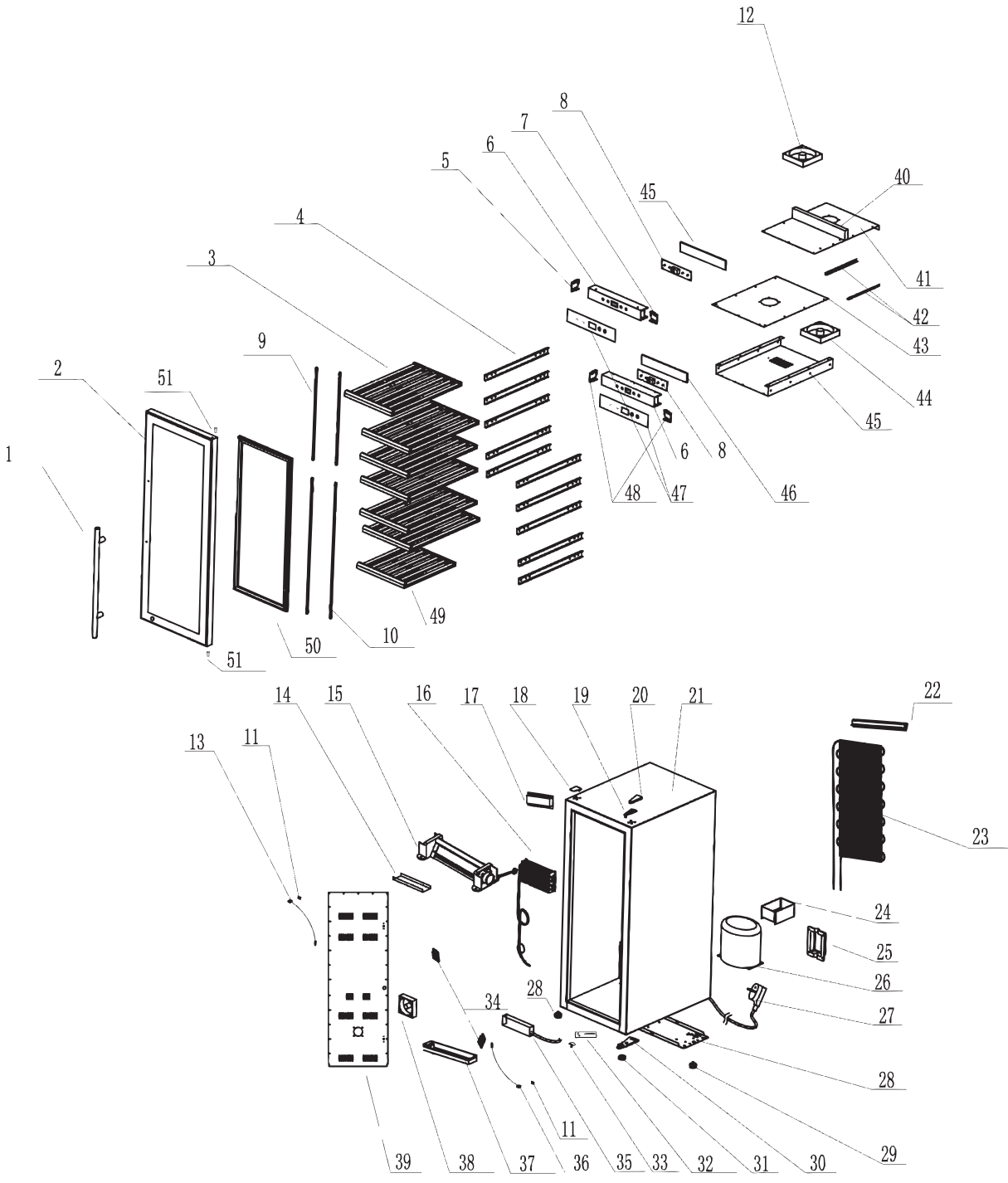
condensation - please wipe off the water from the door and walls, and leave the door closed as long as possible.

6. Heat function on bottom zone: heat function on bottom zone will automatically be on when:
  - Setting temperature is upper than room temperature.
  - Inside bottom temperature is lower than setting temperature.
7. Indicator Light: when temperature inside cabinet is out of range of setting temperature, both up and down indicator lights will be on. Once temperature reaches setting temperature, the light will automatically turn off.

# Parts Breakdown

**Model WC-CN-0181-DB** 48258

**Model WC-CN-0181-D** 45258



# Parts Breakdown

## Model WC-CN-0181-DB 48258

Item No.	Description	Position	Item No.	Description	Position	Item No.	Description	Position
AM683	Handle Black for 48258	1	79687	Hinge Cover for 48258	20	79704	Top Ventilation Board for 48258	41
AM684	Door Assemble Full Glass Door for 48258	2	79688	Casing for 48258	21	79705	Fixed Plate for 48258	42
79671	Upper Wood Shelf for 48258	3	68799	Condenser Strip for 48258	22	79706	Up Cover (Mid. Board) for 48258	43
79672	Sliding Trace Left for 48258	4	79690	Condenser for 48258	23	AM666	8025 Fan for 48258	44
AM667	Sliding Trace Right for 48258	4	79691	Water Tray for 48258	24	79707	Bottom Cover for 48258	45
79676	Electric Box Support Left for 48258	5	79692	Hidden Line Box for 48258	25	79703	Sealing (Froming) for 48258	46
79674	Control Box for 48258	6	79693	Compressor for 48258	26	AM685	Control Panel Sticker-Black for 48258	47
68729	Right Support Frame of Upper Electric Box for 48258	7	79694	Power Supply Cord for 48258	27	79708	Fixation Electrical Box (Down) for 48258	48
79675	Display PCB for 48258	8	79695	Compressor Support Plate for 48258	28	79709	Bottom Wood Shelf for 48258	49
68795	LED Light Strip Blue for 48258	9, 10	79696	Front Foot for 48258	29	79670	Door Gasket for 48258	50
68797	Sensor Cap Foam for 48258	11	79697	Down Hinger+Foot for 48258	30, 31	79712	Shaft Sleeve for 48258	51
79681	Fan-1 for 48258	12	68800	Lock Bracket+Plastic Cushion for 48258	32, 33	79713	Carton for 48258	52
79682	Up-Sensor for 48258	13	79700	Sensor Cap for 48258	34	64165	Slanted Shelf for 48258	53
79683	PVC Sink for 48258	14	79698	Heating Wire for 48258	35	68726	Starting Compoents for the Compressor LG MA53LBCG for 48258	54
68798	Motor General Assembly Drawing for 48258	15	79699	Down Sensor for 48258	36	69707	Key for 48258	55
79684	Evaporator for 48258	16	79711	Watershed Plate for 48258	37	68796	LED Light Strip - White for 48258	56, 57
79689	Electric Board for 48258	17	79701	8025 Fan for 48258	38	AM686	Door Limit - Full Glass Door for 48258	58
79685	Top Cover for 48258	18	68802	Back Ventilation Board for 48258	39			
79686	Upper Hinger for 48258	19	79703	Sealing (Froming) for 48258	40			



# Parts Breakdown

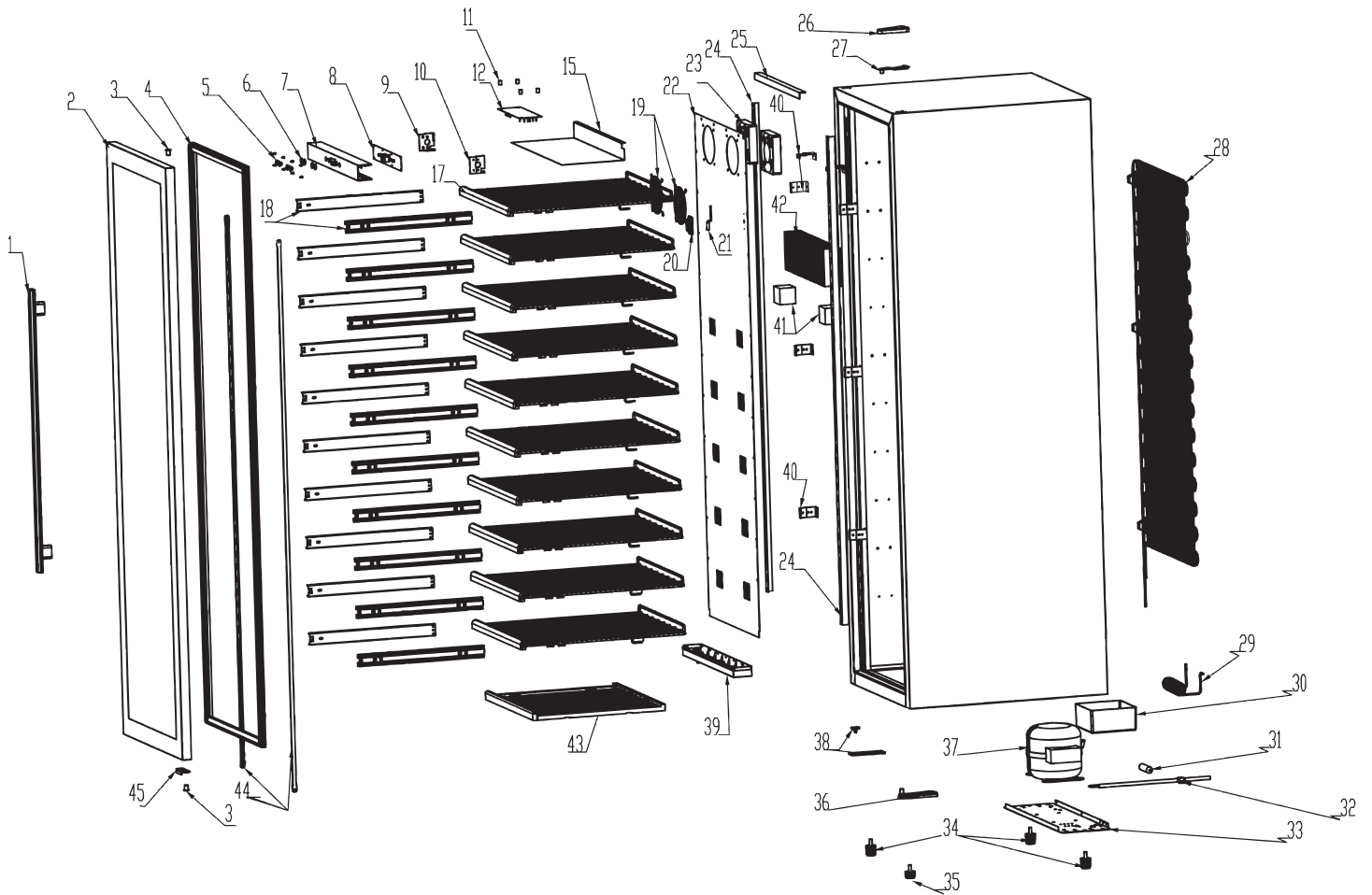
## Model WC-CN-0181-D 45258

Item No.	Description	Position	Item No.	Description	Position	Item No.	Description	Position
79668	Handle Stainless Steel for 45258	1	79687	Hinge Cover for 45258	20	79704	Top Ventilation Board for 45258	41
79669	Door Assemble Stainless Steel Door for 45258	2	79688	Casing for 45258	21	79705	Fixed Plate for 45258	42
79671	Upper Wood Shelf for 45258	3	68799	Condenser Strip for 45258	22	79706	Up Cover (Mid. Board) for 45258	43
79672	Sliding Trace Left for 45258	4	79690	Condenser for 45258	23	AM666	8025 Fan for 45258	44
AM667	Sliding Trace Right for 45258	4	79691	Water Tray for 45258	24	79707	Bottom Cover for 45258	45
79676	Electric Box Support Left for 45258	5	79692	Hidden Line Box for 45258	25	79703	Sealing (Froming) for 45258	46
79674	Control Box for 45258	6	79693	Compressor for 45258	26	79710	Control Panel Sticker-Sliver for 45258	47
68729	Right Support Frame of Upper Electric Box for 45258	7	79694	Power Supply Cord for 45258	27	79708	Fixation Electrical Box (Down) for 45258	48
79675	Display PCB for 45258	8	79695	Compressor Support Plate for 45258	28	79709	Bottom Wood Shelf for 45258	49
68795	LED Light Strip-Blue for 45258	9, 10	79696	Front Foot for 45258	29	79670	Door Gasket for 45258	50
68797	Sensor Cap Foam for 45258	11	79697	Down Hinger+Foot for 45258	30, 31	79712	Shaft Sleeve for 45258	51
79681	Fan-1 for 45258	12	68800	Lock Bracket+Plastic Cushion for 45258	32, 33	79713	Carton for 45258	52
79682	Up-Sensor for 45258	13	79700	Sensor Cap for 45258	34	64165	Slanted Shelf for 45258	53
79683	PVC Sink for 45258	14	79698	Heating Wire for 45258	35	68726	Starting Components for the Compressor LG MA53LBCG for 45258	54
68798	Motor General Assembly Drawing for 45258	15	79699	Down Sensor for 45258	36	69707	Key for 45258	55
79684	Evaporator for 45258	16	79711	Watershed Plate for 45258	37	68796	LED Light Strip - White for 45258	56, 57
79689	Electric Board for 45258	17	79701	8025 Fan for 45258	38	68739	Door Limit - Stainless Steel Door for 45258	58
79685	Top Cover for 45258	18	68802	Back Ventilation Board for 45258	39			
79686	Upper Hinger for 45258	19	79703	Sealing (Froming) for 45258	40			

# Parts Breakdown

**Model WC-CN-0192-SB** 48259

**Model WC-CN-0192-S** 45259



# Parts Breakdown

## Model WC-CN-0192-SB 48259

Item No.	Description	Position	Item No.	Description	Position	Item No.	Description	Position
AM683	Handle-Black for 48259	1	68732	Fan Cover for 48259	19	79696	Front Foot for 48259	34
AM684	Door Assemble-Full Glass Door for 48259	2	79700	Sensor Cap for 48259	20	79697	Down Hinger+Foot for 48259	36
79712	Shaft Sleeve for 48259	3	79682	Up-Sensor for 48259	21	79693	Compressor for 48259	37
79670	Door Gasket for 48259	4	79702	Back Ventilation Board for 48259	22	68800	Lock Bracket+Plastic Cushion for 48259	38
79674	Control Box for 48259	7	AM668	12025 Fan for 48259	23	79711	Watershed Plate for 48259	39
79675	Display PCB for 48259	8	68733	Back Ventilation Board Holder for 48259	24	68738	Back Ventilation Board Holder for 48259	40
79676	Electric Box Support Left for 48259	9	79687	Hinge Cover for 48259	26	AM669	Evaporator for 48259	42
68729	Right Support Frame of Upper Electric Box for 48259	10	79686	Upper Hinge for 48259	27	79709	Bottom Wood Shelf for 48259	43
79708	Fixation Electrical Box (Down) for 48259	11	79690	Condenser for 48259	28	79679	LED Light for 48259	44
79689	Electric Board for 48259	12	68735	Exhaust Pipe for 48259	29	AM686	Door Limit - Full Glass Door for 48259	45
79704	Top Ventilation Board for 48259	15	79691	Water Tray for 48259	30	AM685	Control Panel Sticker-Black for 48259	46
79671	Upper Wood Shelf for 48259	17	68736	Dry Filter for 48259	31	69707	Key for 48259	54
79672	Sliding Trace-Left for 48259	18	79694	Power Supply Cord for 48259	32			
AM667	Sliding Trace-Right for 48259	18	79695	Compressor Support Plate for 48259	33			

# Parts Breakdown

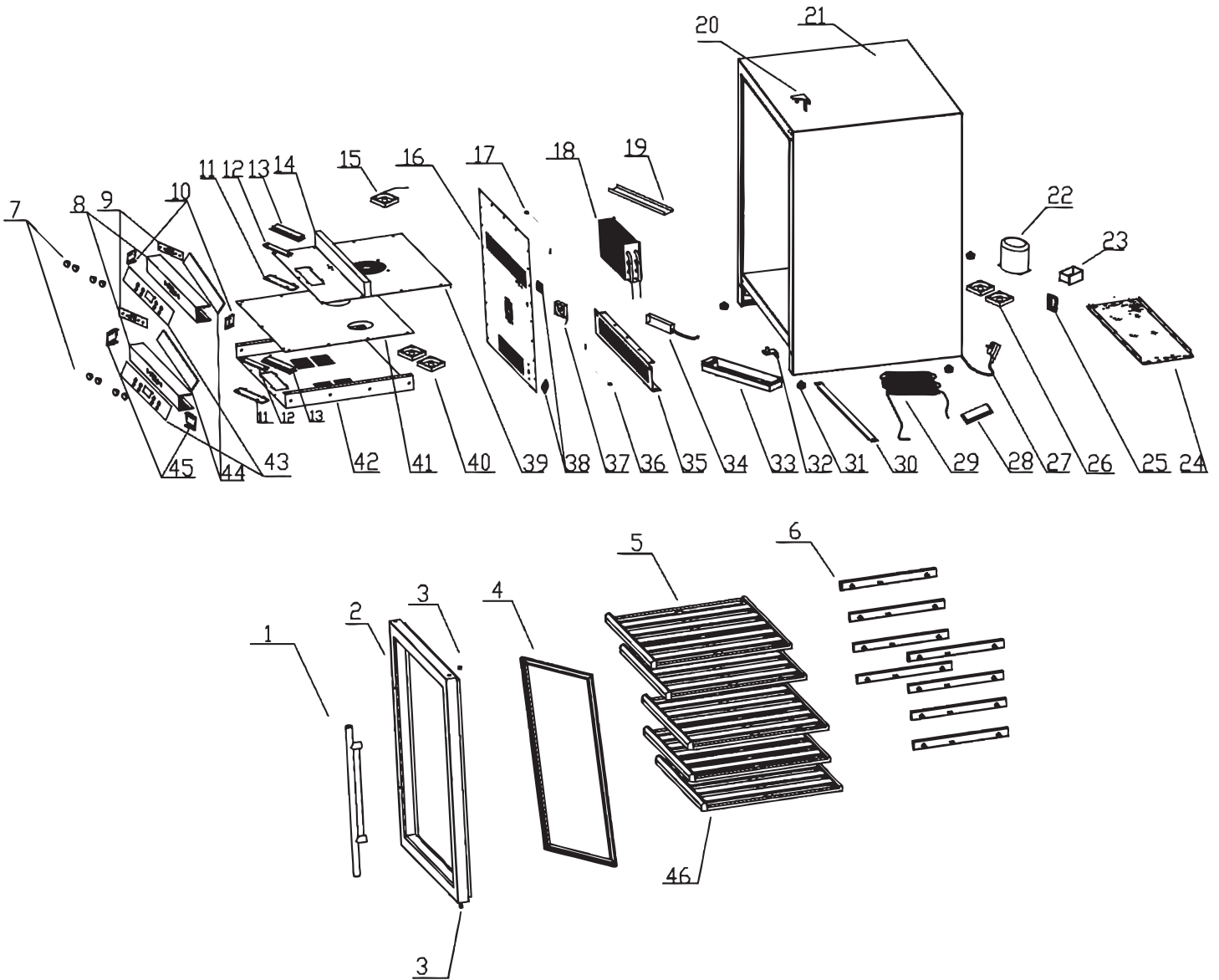
## Model WC-CN-0192-S 45259

Item No.	Description	Position	Item No.	Description	Position	Item No.	Description	Position
79668	Handle Stainless Steel for 45259	1	68732	Fan Cover for 45259	19	79696	Front Foot for 45259	34
79669	Door Assemble Stainless Steel Door for 45259	2	79700	Sensor Cap for 45259	20	79697	Down Hinger+Foot for 45259	36
79712	Shaft Sleeve for 45259	3	79682	Up-Sensor for 45259	21	79693	Compressor for 45259	37
79670	Door Gasket for 45259	4	79702	Back Ventilation Board for 45259	22	68800	Lock Bracket+Plastic Cushion for 45259	38
79674	Control Box for 45259	7	AM668	12025 Fan for 45259	23	79711	Watershed Plate for 45259	39
79675	Display PCB for 45259	8	68733	Back Ventilation Board Holder for 45259	24	68738	Back Ventilation Board Holder for 45259	40
79676	Electric Box Support Left for 45259	9	79687	Hinge Cover for 45259	26	AM669	Evaporator for 45259	42
68729	Right Support Frame of Upper Electric Box for 45259	10	79686	Upper Hinge for 45259	27	79709	Bottom Wood Shelf for 45259	43
79708	Fixation Electrical Box (Down) for 45259	11	79690	Condenser for 45259	28	79679	LED Light for 45259	44
79689	Electric Board for 45259	12	68735	Exhaust Pipe for 45259	29	68739	Door Limit Block for 45259	45
79704	Top Ventilation Board for 45259	15	79691	Water Tray for 45259	30	79710	Control Panel Sticker Silver for 45259	46
79671	Upper Wood Shelf for 45259	17	68736	Dry Filter for 45259	31	69707	Key for 45259	54
79672	Sliding Trace Left for 45259	18	79694	Power Supply Cord for 45259	32			
AM667	Sliding Trace Right for 45259	18	79695	Compressor Support Plate for 45259	33			

# Parts Breakdown

**Model WC-CN-0040-DB** 48260

**Model WC-CN-0040-D** 45260



# Parts Breakdown

## Model WC-CN-0040-DB 48260

Item No.	Description	Position	Item No.	Description	Position	Item No.	Description	Position
AM687	Handle-Black for 48260	1	79730	Up-Sensor for 48260	17	79711	Watershed Plate for 48260	33
AM688	Door Assemble-Full Glass Door for 48260	2	79731	Evaporator for 48260	18	79698	Heating Wire for 48260	34
79712	Shaft Sleeve for 48260	3	79732	Sealing PVC for 48260	19	AM690	Front Grill - Black for 48260	35
AM689	Door Gasket (Full Glass Door) for 48260	4	AM672	Upper Hinger for 48260	20	79749	Down Sensor for 48260	36
79718	Upper Wood Shelf for 48260	5	79734	Casing for 48260	21	79701	8025 Fan for 48260	37
79719	Sliding Trace-Left for 48260	6	79735	Compressor for 48260	22	79700	Sensor Cap for 48260	38
AM670	Sliding Trace-Right for 48260	6	AM673	Water Tray for 48260	23	79752	Top Ventilation Board for 48260	39
79674	Control Box for 48260	8	79737	Compressor Support Plate for 48260	24	AM666	8025 Fan for 48260	40
79675	Display PCB for 48260	9	79692	Hidden Line Box for 48260	25	79754	Up Cover (Mid.Board) for 48260	41
79676	Electric Box Support Left for 48260	10	AM674	8025 Fan-2 for 48260	26	79755	Bottom Cover (Mid.Board) for 48260	42
68729	Right Support Frame of Upper Electric Box for 48260	10	79694	Power Supply Cord for 48260	27	AM685	Control Panel Sticker-Black for 48260	43
79725	Upper Zone LED Light Strip-Blue for 48260	12	79689	Electric Board for 48260	28	79708	Fixation Electrical Box (Down) for 48260	45
AM671	Lower Zone LED Light Strip-Blue for 48260	12	79742	Condenser for 48260	29	79759	Bottom Wood Shelf for 48260	46
79703	Sealing (Froming) for 48260	14	79743	Bottom Reinforcing Bar for 48260	30	79760	Carton for 48260	47
79728	Fan-1 for 48260	15	AM675	Foot for 48260	31	AM676	Upper Zone LED Light Strip-White for 48260	48
79729	Back Ventilation Board for 48260	16	79745	Down Hinger+Front Foot for 48260	32	AM677	Lower Zone LED Light Strip-White for 48260	49

# Parts Breakdown

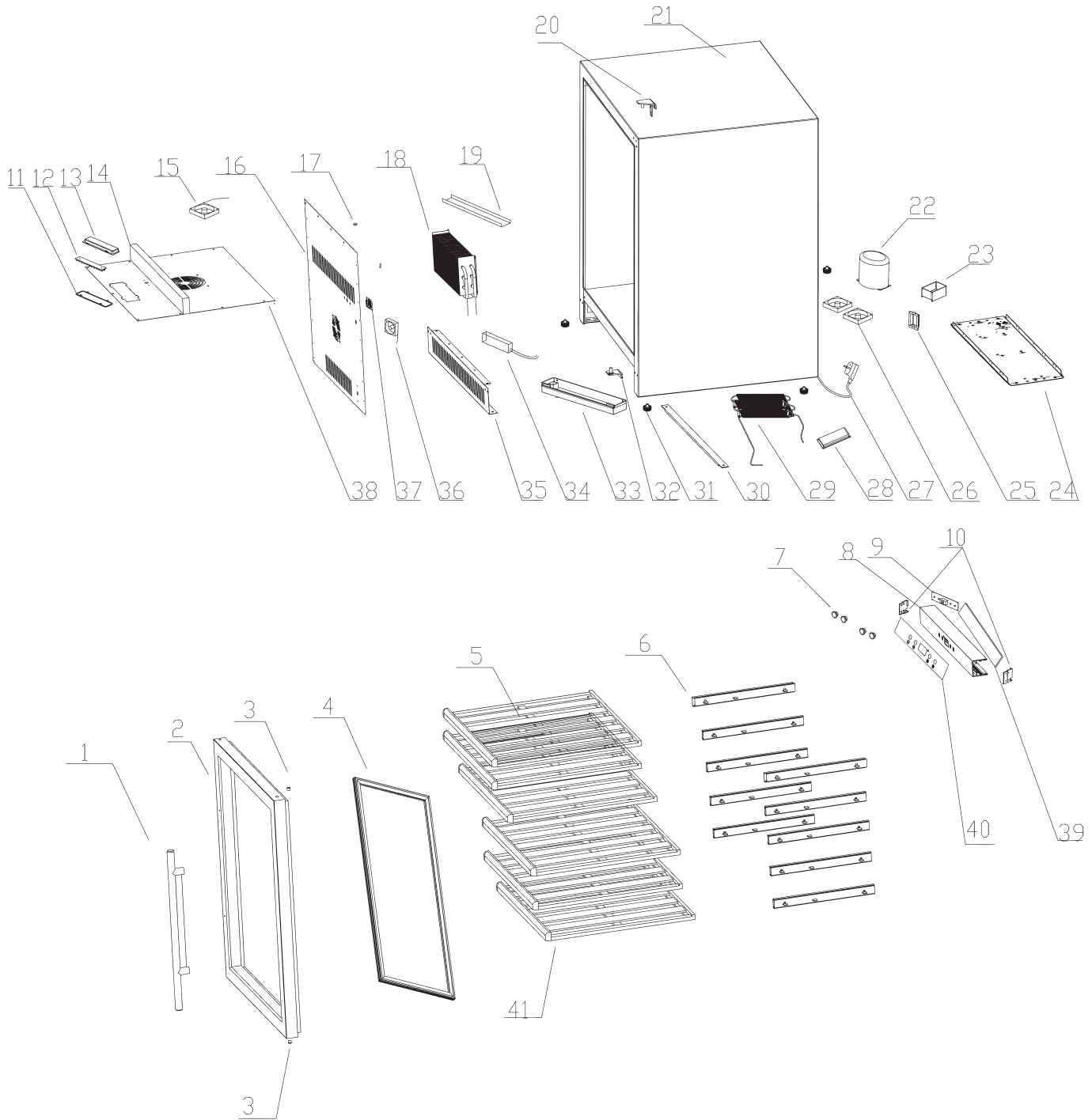
## Model WC-CN-0040-D 45260

Item No.	Description	Position	Item No.	Description	Position	Item No.	Description	Position
79714	Handle Stainless Steel for 45260	1	79730	Up-Sensor for 45260	17	79711	Watershed Plate for 45260	33
79715	Door Assemble Stainless Steel Door for 45260	2	79731	Evaporator for 45260	18	79698	Heating Wire for 45260	34
79712	Shaft Sleeve for 45260	3	79732	Sealing PVC for 45260	19	79748	Front Grill - Stainless Steel for 45260	35
79717	Door Gasket (Stainless Steel Door) for 45260	4	AM672	Upper Hinger for 45260	20	79749	Down Sensor for 45260	36
79718	Upper Wood Shelf for 45260	5	79734	Casing for 45260	21	79701	8025 Fan for 45260	37
79719	Sliding Trace-Left for 45260	6	79735	Compressor for 45260	22	79700	Sensor Cap for 45260	38
AM670	Sliding Trace-Right for 45260	6	AM673	Water Tray for 45260	23	79752	Top Ventilation Board for 45260	39
79674	Control Box for 45260	8	79737	Compressor Support Plate for 45260	24	AM666	8025 Fan for 45260	40
79675	Display PCB for 45260	9	79692	Hidden Line Box for 45260	25	79754	Up Cover (Mid.Board) for 45260	41
79676	Electric Box Support Left for 45260	10	AM674	8025 Fan-2 for 45260	26	79755	Bottom Cover (Mid.Board) for 45260	42
68729	Right Support Frame of Upper Electric Box for 45260	10	79694	Power Supply Cord for 45260	27	79710	Control Panel Sticker Silver for 45260	43
79725	Upper Zone LED Light Strip-Blue for 45260	12	79689	Electric Board for 45260	28	79708	Fixation Electrical Box (Down) for 45260	45
AM671	Lower Zone LED Light Strip-Blue for 45260	12	79742	Condenser for 45260	29	79759	Bottom Wood Shelf for 45260	46
79703	Sealing (Froming) for 45260	14	79743	Bottom Reinforcing Bar for 45260	30	79760	Carton for 45260	47
79728	Fan-1 for 45260	15	AM675	Foot for 45260	31	AM676	Upper Zone LED Light Strip-White for 45260	48
79729	Back Ventilation Board for 45260	16	79745	Down Hinger+Front Foot for 45260	32	AM677	Lower Zone LED Light Strip-White for 45260	49

# Parts Breakdown

**Model WC-CN-0051-SB** 48261

**Model WC-CN-0051-S** 45261





# Parts Breakdown

## Model WC-CN-0051-SB 48261

Item No.	Description	Position	Item No.	Description	Position	Item No.	Description	Position
AM687	Handle-Black for 48261	1	AM681	LED Light for 48261	12	79694	Power Supply Cord for 48261	27
AM688	Door Assemble-Full Glass Door for 48261	2	79703	Sealing (Froming) for 48261	14	79689	Electric Board for 48261	28
79712	Shaft Sleeve for 48261	3	79728	Fan-1 for 48261	15	79742	Condenser for 48261	29
AM689	Door Gasket (Full Glass Door) for 48261	4	AM682	Back Ventilation Board for 48261	16	79743	Bottom Reinforcing Bar for 48261	30
79718	Upper Wood Shelf for 48261	5	79730	Up-Sensor for 48261	17	AM675	Foot for 48261	31
AM678	Down Wood Shelf for 48261	5	79731	Evaporator for 48261	18	79745	Down Hinger+Front Foot for 48261	32
AM680	Sliding Trace-Left for 48261	6	79732	Sealing PVC for 48261	19	79711	Watershed Plate for 48261	33
AM679	Sliding Trace-Right for 48261	6	AM672	Upper Hinger for 48261	20	AM690	Front Grill - Black for 48261	35
79719	Sliding Trace-Left for 48261	6	79734	Casing for 48261	21	79700	Sensor Cap for 48261	37
AM670	Sliding Trace-Right for 48261	6	79735	Compressor for 48261	22	79752	Top Ventilation Board for 48261	38
79674	Control Box for 48261	8	AM673	Water Tray for 48261	23	AM685	Control Panel Sticker-Black for 48261	40
79675	Display PCB for 48261	9	79737	Compressor Support Plate for 48261	24	79759	Bottom Wood Shelf for 48261	41
79676	Electric Box Support Left for 48261	10	79692	Hidden Line Box for 48261	25	79760	Carton for 48261	42
68729	Right Support Frame of Upper Electric Box for 48261	10	AM674	8025 Fan-2 for 48261	26			

# Parts Breakdown

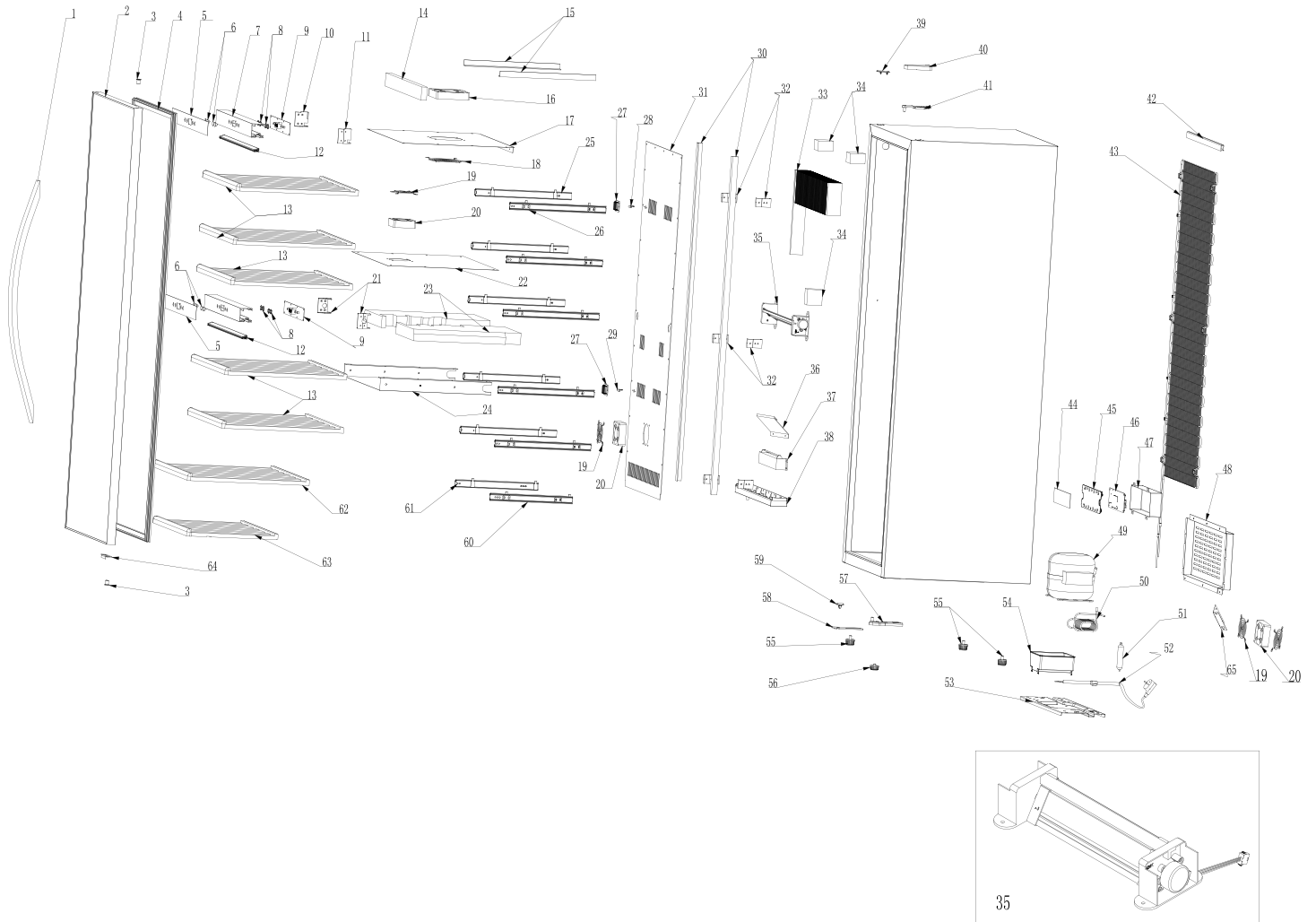
## Model WC-CN-0051-S 45261

Item No.	Description	Position	Item No.	Description	Position	Item No.	Description	Position
79714	Handle Stainless Steel for 45261	1	AM681	LED Light for 45261	12	79694	Power Supply Cord for 45261	27
79715	Door Assemble Stainless Steel Door for 45261	2	79703	Sealing (Froming) for 45261	14	79689	Electric Board for 45261	28
79712	Shaft Sleeve for 45261	3	79728	Fan-1 for 45261	15	79742	Condenser for 45261	29
79717	Door Gasket (Stainless Steel Door) for 45261	4	AM682	Back Ventilation Board for 45261	16	79743	Bottom Reinforcing Bar for 45261	30
79718	Upper Wood Shelf for 45261	5	79730	Up-Sensor for 45261	17	AM675	Foot for 45261	31
AM678	Down Wood Shelf for 45261	5	79731	Evaporator for 45261	18	79745	Down Hinger+Front Foot for 45261	32
AM680	Sliding Trace-Left for 45261	6	79732	Sealing PVC for 45261	19	79711	Watershed Plate for 45261	33
AM679	Sliding Trace-Right for 45261	6	AM672	Upper Hinger for 45261	20	79748	Front Grill - Stainless Steel for 45261	35
79719	Sliding Trace-Left for 45261	6	79734	Casing for 45261	21	79700	Sensor Cap for 45261	37
AM670	Sliding Trace-Right for 45261	6	79735	Compressor for 45261	22	79752	Top Ventilation Board for 45261	38
79674	Control Box for 45261	8	AM673	Water Tray for 45261	23	79710	Control Panel Sticker-Silver for 45261	40
79675	Display PCB for 45261	9	79737	Compressor Support Plate for 45261	24	79759	Bottom Wood Shelf for 45261	41
79676	Electric Box Support Left for 45261	10	79692	Hidden Line Box for 45261	25	79760	Carton for 45261	42
68729	Right Support Frame of Upper Electric Box for 45261	10	AM674	8025 Fan-2 for 45261	26			

# Parts Breakdown

**Model WC-CN-0126-DB** 48525

**Model WC-CN-0126-D** 48526



# Parts Breakdown

## Model WC-CN-0126-DB 48525

Item No.	Description	Position	Item No.	Description	Position	Item No.	Description	Position
AS780	Handle Stainless Steel for 48525	1	79755	Bottom Cover (Mid.Board) for 48525	24	AS804	Electric Board Cover for 48525	47
AS781	Door Assembly Full Glass for 48525	2	AS793	Sliding Trace Left-14" for 48525	25	AS805	Compressor Room Cover for 48525	48
79712	Shaft Sleeve for 48525	3	AS794	Sliding Trace Right-14" for 48525	26	AS806	Compressor for 48525	49
AS782	Door Gasket for 48525	4	79700	Sensor Cap for 48525	27	68735	Exhaust Pipe for 48525	50
AS783	Control Panel Sticker-Black for 48525	5	79730	Up Sensor for 48525	28	68736	Dry Filter for 48525	51
AS784	Button for 48525	6	79749	Down Sensor for 48525	29	AS807	Power Supply Cord for 48525	52
AS785	Electric Box with LED Light Strip for 48525	7	68799	Condenser Strip for 48525	30	79695	Compressor Support Plate for 48525	53
AS786	Button Nut for 48525	8	AS795	Back Ventilation Board for 48525	31	79691	Water Tray for 48525	54
AS787	Display PCB Board for 48525	9	68738	Back Ventilation Board Holder for 48525	32	AS808	Front Foot-15mm for 48525	55
79676	Electric Box Support Left for 48525	10	AS796	Evaporator for 48525	33	79696	Front Foot for 48525	56
68729	Right Support Frame of Upper Electric Box for 48525	11	AS797	Evaporator Sealing Block for 48525	34	79697	Down Hinger+Foot for 48525	57
AS788	LED Light Strip - New for 48525	12	AS798	Motor General Assembly for 48525	35	AS809	Lock Bracket with Plastic Cushion for 48525	58, 59
AS789	Upper Wood Shelf for 48525	13, 69	79683	PVC Sink for 48525	36	AS810	Sliding Trace Left-12" for 48525	60
79703	Sealing (Froming) for 48525	14	AS799	Heater for 48525	37	AS811	Sliding Trace Right-12" for 48525	61
79705	Fixed Plate for 48525	15	79711	Watershed Plate for 48525	38	AS812	Lower Shelf for 48525	62
AS790	Fan DC12025 for 48525	16	79685	Top Cover for 48525	39	AS813	Bottom Wood Shelf for 48525	63
79752	Top Ventilation Board for 48525	17	79687	Hinge Cover for 48525	40	AM686	Door Limit - Full Glass Door for 48525	64
68732	Fan Cover for 48525	18	79686	Upper Hinger for 48525	41	AS814	Carton Box for 48525	65
AS791	Small Fan Cover for 48525	19	68799	Condenser Strip for 48525	42	AS815	Manual for 48525	66
79701	8025 Fan for 48525	20	AS800	Condenser for 48525	43	AS816	Display Shelf Assembly for 48525	67
79708	Fixation Electrical Box (Down) for 48525	21	AS801	Velcro Tape for 48525	44	AS817	Foldable Shelf for 48525	68
79754	Up Cover (Mid.Board) for 48525	22	AS802	Electric Board Base for 48525	45	AS818	Upright Shelf for 48525	70
AS792	Middle Board Foam for 48525	23	AS803	Electric Board for 48525	46			

# Parts Breakdown

## Model WC-CN-0126-D 48526

Item No.	Description	Position	Item No.	Description	Position	Item No.	Description	Position
AS780	Handle Stainless Steel for 48526	1	79755	Bottom Cover (Mid.Board) for 48526	24	AS804	Electric Board Cover for 48526	47
AS819	Door Assembly-Stainless Steel for 48526	2	AS793	Sliding Trace Left-14" for 48526	25	AS805	Compressor Room Cover for 48526	48
79712	Shaft Sleeve for 48526	3	AS794	Sliding Trace Right-14" for 48526	26	AS806	Compressor for 48526	49
AS782	Door Gasket for 48526	4	79700	Sensor Cap for 48526	27	68735	Exhaust Pipe for 48526	50
AS820	Control Panel Sticker-Silver for 48526	5	79730	Up Sensor for 48526	28	68736	Dry Filter for 48526	51
AS784	Button for 48526	6	79749	Down Sensor for 48526	29	AS807	Power Supply Cord for 48526	52
AS785	Electric Box with LED Light Strip for 48526	7	68799	Condenser Strip for 48526	30	79695	Compressor Support Plate for 48526	53
AS786	Button Nut for 48526	8	AS795	Back Ventilation Board for 48526	31	79691	Water Tray for 48526	54
AS787	Display PCB Board for 48526	9	68738	Back Ventilation Board Holder for 48526	32	AS808	Front Foot-15mm for 48526	55
79676	Electric Box Support Left for 48526	10	AS796	Evaporator for 48526	33	79696	Front Foot for 48526	56
68729	Right Support Frame of Upper Electric Box for 48526	11	AS797	Evaporator Sealing Block for 48526	34	79697	Down Hinger+Foot for 48526	57
AS788	LED Light Strip - New for 48526	12	AS798	Motor General Assembly for 48526	35	AS809	Lock Bracket with Plastic Cushion for 48526	58, 59
AS789	Upper Wood Shelf for 48526	13, 69	79683	PVC Sink for 48526	36	AS810	Sliding Trace Left-12" for 48526	60
79703	Sealing (Froming) for 48526	14	AS799	Heater for 48526	37	AS811	Sliding Trace Right-12" for 48526	61
79705	Fixed Plate for 48526	15	79711	Watershed Plate for 48526	38	AS812	Lower Shelf for 48526	62
AS790	Fan DC12025 for 48526	16	79685	Top Cover for 48526	39	AS813	Bottom Wood Shelf for 48526	63
79752	Top Ventilation Board for 48526	17	79687	Hinge Cover for 48526	40	AM686	Door Limit - Full Glass Door for 48526	64
68732	Fan Cover for 48526	18	79686	Upper Hinger for 48526	41	AS814	Carton Box for 48526	65
AS791	Small Fan Cover for 48526	19	68799	Condenser Strip for 48526	42	AS815	Manual for 48526	66
79701	8025 Fan for 48526	20	AS800	Condenser for 48526	43	AS816	Display Shelf Assembly for 48526	67
79708	Fixation Electrical Box (Down) for 48526	21	AS801	Velcro Tape for 48526	44	AS817	Foldable Shelf for 48526	68
79754	Up Cover (Mid.Board) for 48526	22	AS802	Electric Board Base for 48526	45	AS818	Upright Shelf for 48526	70
AS792	Middle Board Foam for 48526	23	AS803	Electric Board for 48526	46			

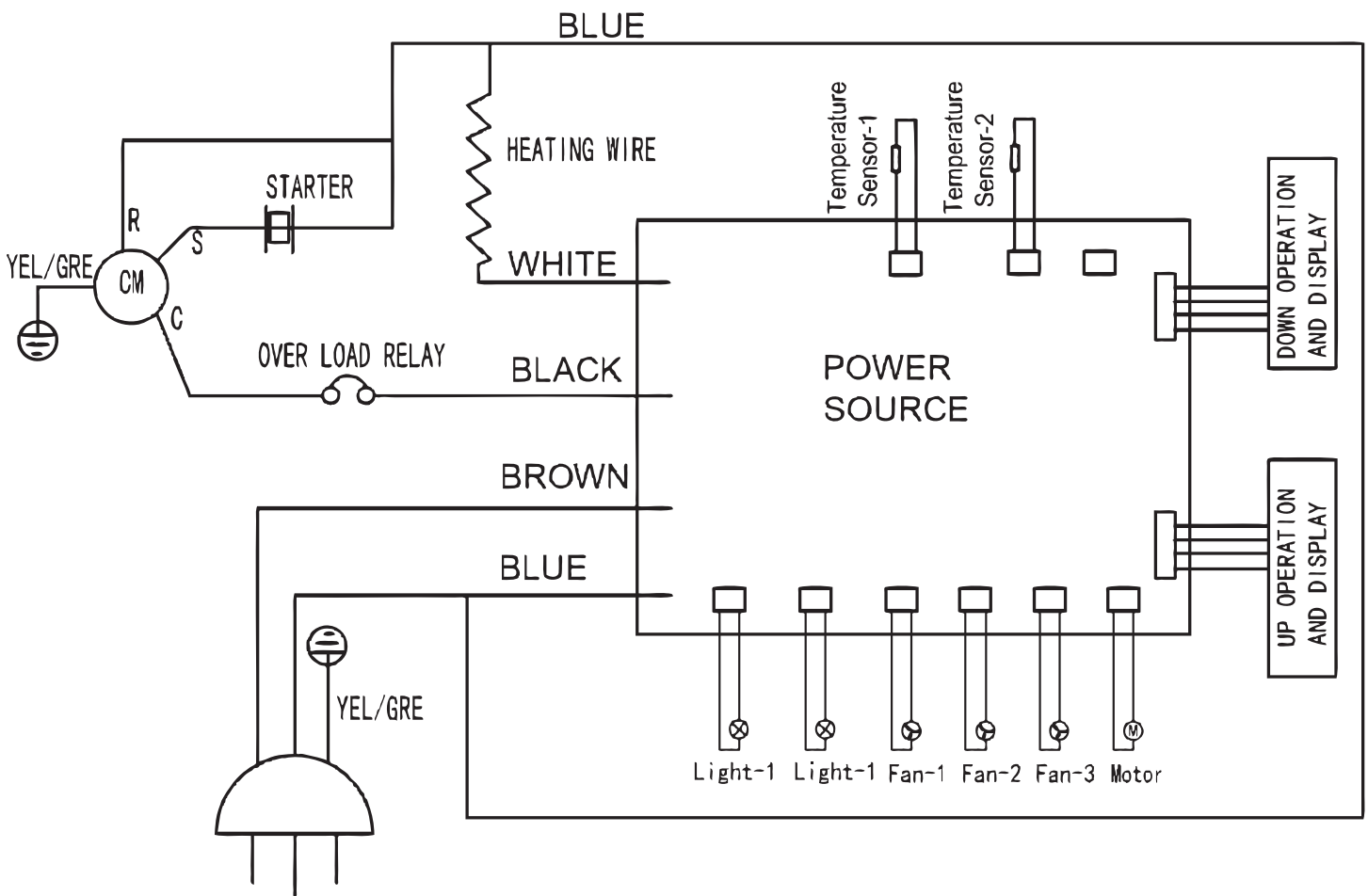
# Electrical Schematics

**Model WC-CN-0181-DB** 48258

**Model WC-CN-0181-D** 45258

**Model WC-CN-0040-DB** 48260

**Model WC-CN-0040-D** 45260



**NEMA**  
5 - 15P  
125VAC / 15 AMP

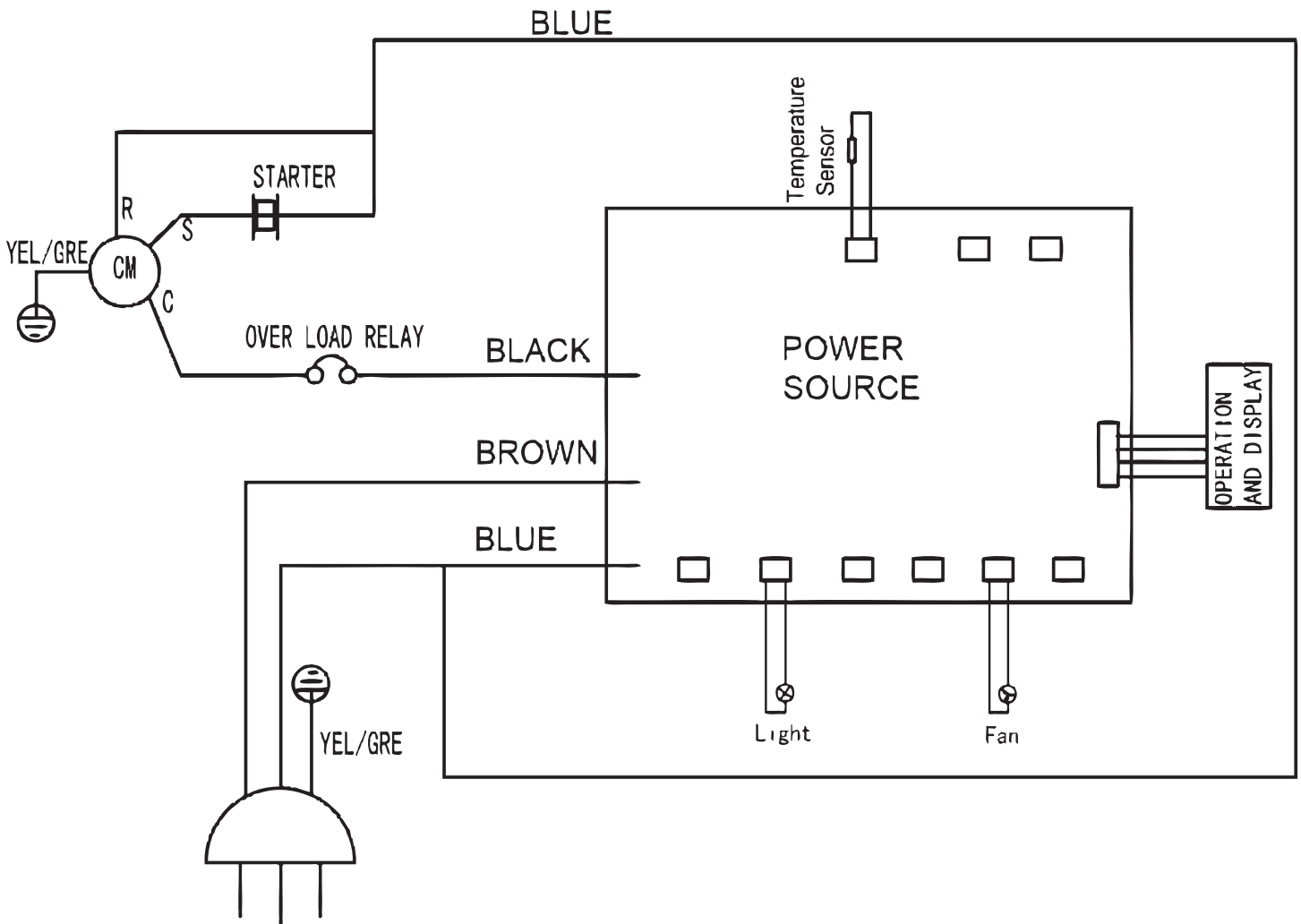
# Electrical Schematics

**Model WC-CN-0192-SB** 48259

**Model WC-CN-0192-S** 45259

**Model WC-CN-0051-SB** 48261

**Model WC-CN-0051-S** 45261

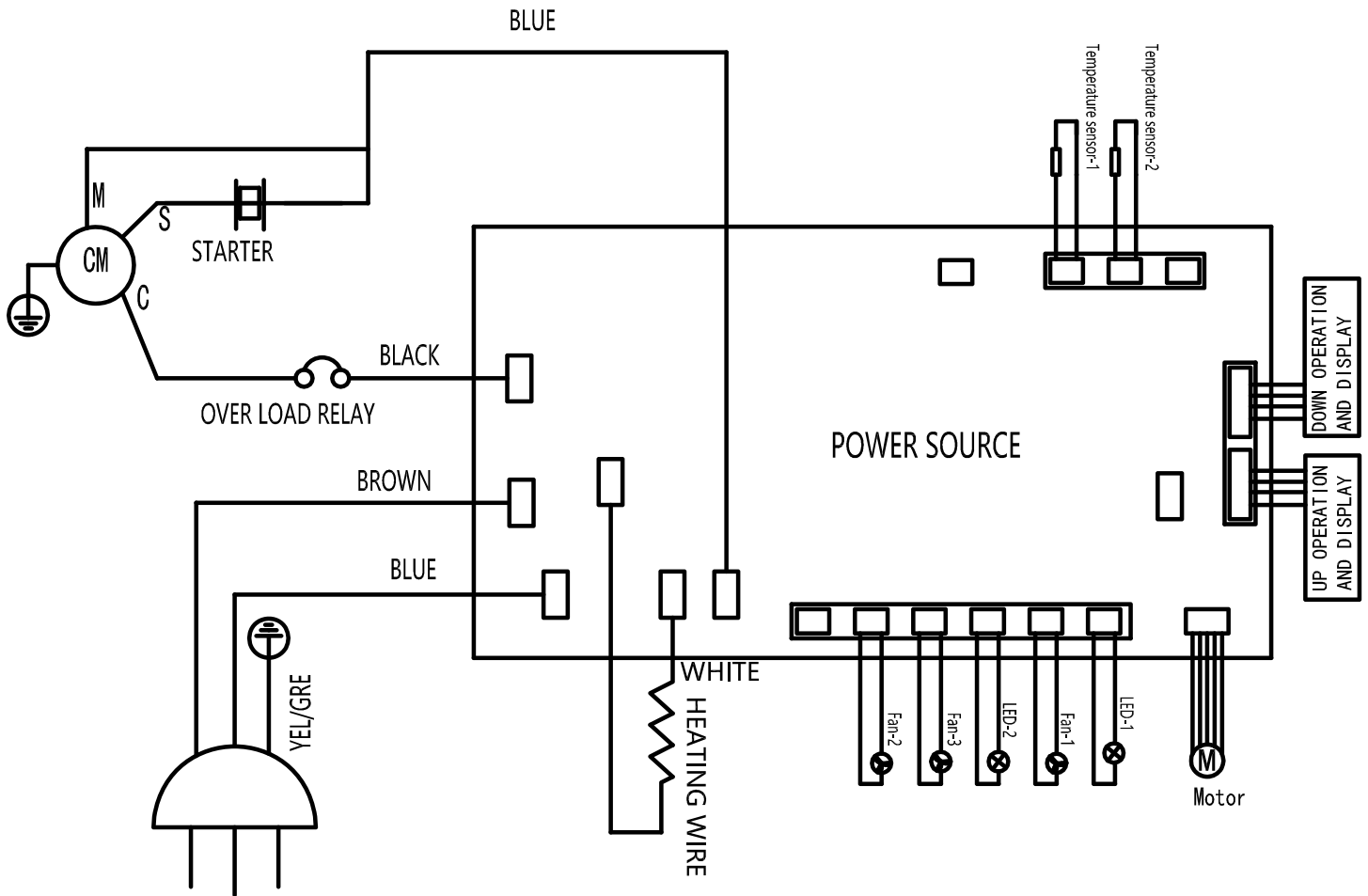


NEMA  
5 - 15P  
125VAC / 15 AMP

# Electrical Schematics

**Model WC-CN-0126-DB** 48525

**Model WC-CN-0126-D** 48526



**NEMA**  
5 - 15P  
125VAC / 15 AMP









# Warranty Registration

Thank you for purchasing an Omcan product. To register your warranty for this product, complete the information below, tear off the card at the perforation and then send to the address specified below. You can also register online by visiting:

Merci d'avoir acheté un produit Omcan. Pour enregistrer votre garantie pour ce produit, complétez les informations ci-dessous, détachez la carte au niveau de la perforation, puis l'envoyer à l'adresse spécifiée ci-dessous. Vous pouvez également vous inscrire en ligne en visitant:

Gracias por comprar un producto Omcan usted. Para registrar su garantía para este producto, complete la información a continuación, cortar la tarjeta en la perforación y luego enviarlo a la dirección indicada a continuación. También puede registrarse en línea en:

<https://omcan.com/warranty-registration/>

For mailing in Canada

Pour postale au Canada

Por correo en Canadá

**OMCAN**

PRODUCT WARRANTY REGISTRATION

3115 Pepper Mill Court,  
Mississauga, Ontario  
Canada, L5L 4X5

For mailing in the US

Pour diffusion aux États-Unis

Por correo en los EE.UU.

**OMCAN**

PRODUCT WARRANTY REGISTRATION

4450 Witmer Industrial Estates, Unit 4,  
Niagara Falls, New York  
USA, 14305

*or email to: [service@omcan.com](mailto:service@omcan.com)*



Purchaser's Information

Name: \_\_\_\_\_

Address: \_\_\_\_\_

City: \_\_\_\_\_ Province or State: \_\_\_\_\_ Postal or Zip: \_\_\_\_\_

Country: \_\_\_\_\_

Dealer from which Purchased: \_\_\_\_\_

Dealer City: \_\_\_\_\_ Dealer Province or State: \_\_\_\_\_

Invoice: \_\_\_\_\_

Model Name: \_\_\_\_\_ Model Number: \_\_\_\_\_

Machine Description: \_\_\_\_\_

Date of Purchase (MM/DD/YYYY): \_\_\_\_\_

Would you like to extend the warranty?  Yes  No

Company Name: \_\_\_\_\_

Telephone: \_\_\_\_\_

Email Address: \_\_\_\_\_

Type of Company:

Restaurant  Bakery  Deli

Butcher  Supermarket  Caterer

Institution (specify): \_\_\_\_\_

Other (specify): \_\_\_\_\_

Serial Number: \_\_\_\_\_

Date of Installation (MM/DD/YYYY): \_\_\_\_\_

**Thank you for choosing Omcan | Merci d'avoir choisi Omcan | Gracias por elegir Omcan**



Since 1951 Omcan has grown to become a leading distributor of equipment and supplies to the North American food service industry. Our success over these many years can be attributed to our commitment to strengthen and develop new and existing relationships with our valued customers and manufacturers. Today with partners in North America, Europe, Asia and South America, we continually work to improve and grow the company. We strive to offer customers exceptional value through our qualified local sales and service representatives who provide convenient access to over 6,500 globally sourced products.

---

Depuis 1951 Omcan a grandi pour devenir un des "leaders" de la distribution des équipements et matériel pour l'industrie des services alimentaires en Amérique du Nord. Notre succès au cours de ces nombreuses années peut être attribué à notre engagement à renforcer et à développer de nouvelles et existantes relations avec nos clients et les fabricants de valeur. Aujourd'hui avec des partenaires en Amérique du Nord, Europe, Asie et Amérique du Sud, nous travaillons continuellement à améliorer et développer l'entreprise. Nous nous efforçons d'offrir à nos clients une valeur exceptionnelle grâce à nos ventes locales qualifiées et des représentants de service qui offrent un accès facile à plus de 6500 produits provenant du monde entier.

---

Desde 1951 Omcan ha crecido hasta convertirse en un líder en la distribución de equipos y suministros de alimentos en América del Norte industria de servicios. Nuestro éxito en estos años se puede atribuir a nuestro compromiso de fortalecer y desarrollar nuevas relaciones existentes con nuestros valiosos clientes y fabricantes. Hoy con socios de América del Norte, Europa, Asia y América del Sur, que trabajan continuamente para mejorar y crecer la empresa. Nos esforzamos por ofrecer a nuestros clientes valor excepcional a través de nuestro local de ventas y representantes de los servicios que proporcionan un fácil acceso a más de 6,500 productos con origen a nivel mundial.

